

GINGER NSP CV/CC

Small Size. Even Smaller beam angle and Extreme Light Output

GINGER NSP is a unique fixture based on new optics that was released to the market in Mid 2019. For a long time there was a trade off between the light output and the size of the fixture when Very Narrow optics was needed. The choice was between a small size fixture with around 250 Lumens to very large fixtures with over 1000 Lumens. But there was no solution for small size and relatively high Lumen. That was before d-led introduces the GINGER NSP

The **GINGER NSP** allows for a unique combination of very high light output with very narrow optics and small size. the combination of the tree allows for new indoor and outdoor options that were not available before due to the size of the fixture needed in order to have over 500 Lumens with Beam angle of 2-6 degrees.

The **GINGER NSP** is IP-67 Rated and CE approved. d-led offer 2 options of operation:

- 1) **Serial** connection with Beam Angle of 4 deg with Max Lumen of app 500 Lumens (CREE)
- 2) **Parallel** connection with Beam Angle of 6 deg with Max Lumen of app 600 Lumens (LUMULEDS)



	CRI		lm	lm/w				
IP 67	70-90 CRI	MAX. 8.4W	580LM	69 lm/w	4/6 Optional 2	2700K~ 7000K	Monochrom	RAL / Anodize

OUTPUT	GINGER NSP CC (Serial)
LED System	XHP35 HI Cree
Intensity	486 lm @ full power CRI 80 4000K
Channel Range	1 Channel
Color Range	2700/3000/3500/4000/4500/5000/5700/6000/6500/7000
Optical System	4°

ELECTRICAL	
Control	Constant Current Driver
Input Voltage	11-12V
Consumption	8.4W @ 700mA / 12V
Max LED's	1 LED
Efficiency LM/W	58 lm/w
Connection	2 * 22AWG Neoprene Cable

ENVIRONMENTAL	
IP Rating	IP 67
Working Temp.	-18°C ~ 40°C / 0°F ~ 104°F
Storage Temp.	-18°C ~ 60°C / 0°F ~ 140°F

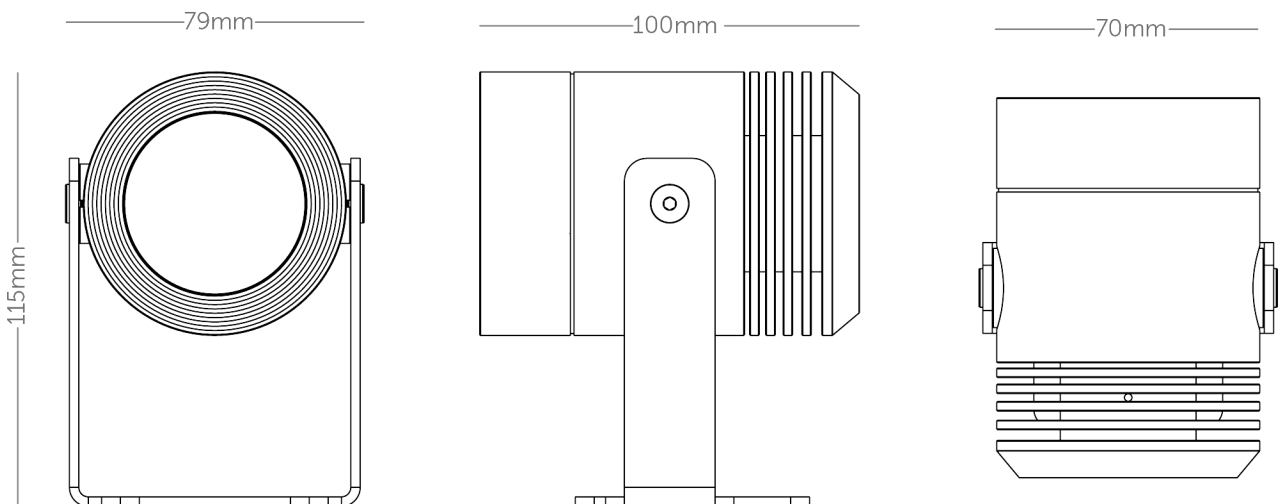
PHYSICAL	
Size	H74 * Ø36mm
Housing	Anodized Aluminum

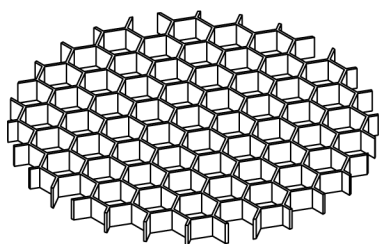
GINGER NSP CV (parallel)
Luxeon V Lumileds
580 lm @ full power CRI 70 4000K
1 Channel
4000/5000/5700/6500
6°

Control	Constant Voltage Driver
Input Voltage	12-30 Volt (Typical 24V)
Consumption	8.4W @ 2800mA / 3V
Max LED's	1 LED
Efficiency LM/W	69 lm/w
Connection	2 * 22AWG Neoprene Cable

IP Rating	IP 67
Working Temp.	-18°C ~ 40°C / 0°F ~ 104°F
Storage Temp.	-18°C ~ 60°C / 0°F ~ 140°F

Size	H74 * Ø36mm
Housing	Anodized Aluminum





Hobeycomb

Cell W 5.2mm, H 3.2mm

